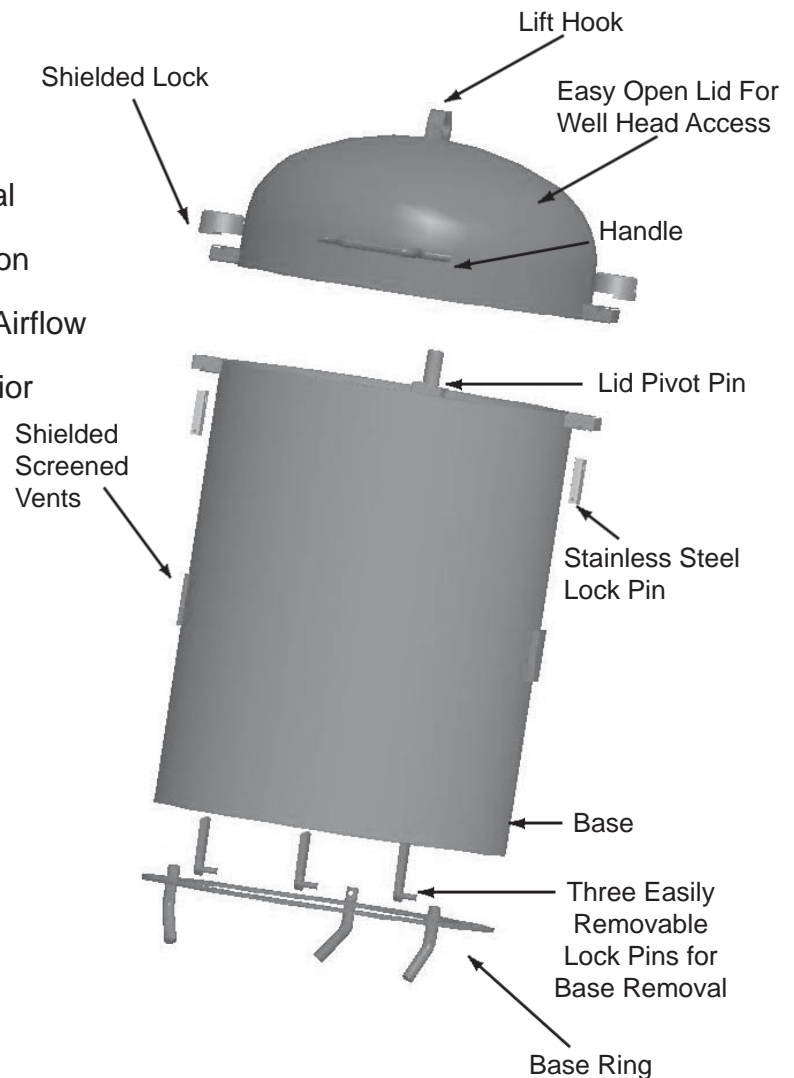


PROTECTIVE WELL ENCLOSURE

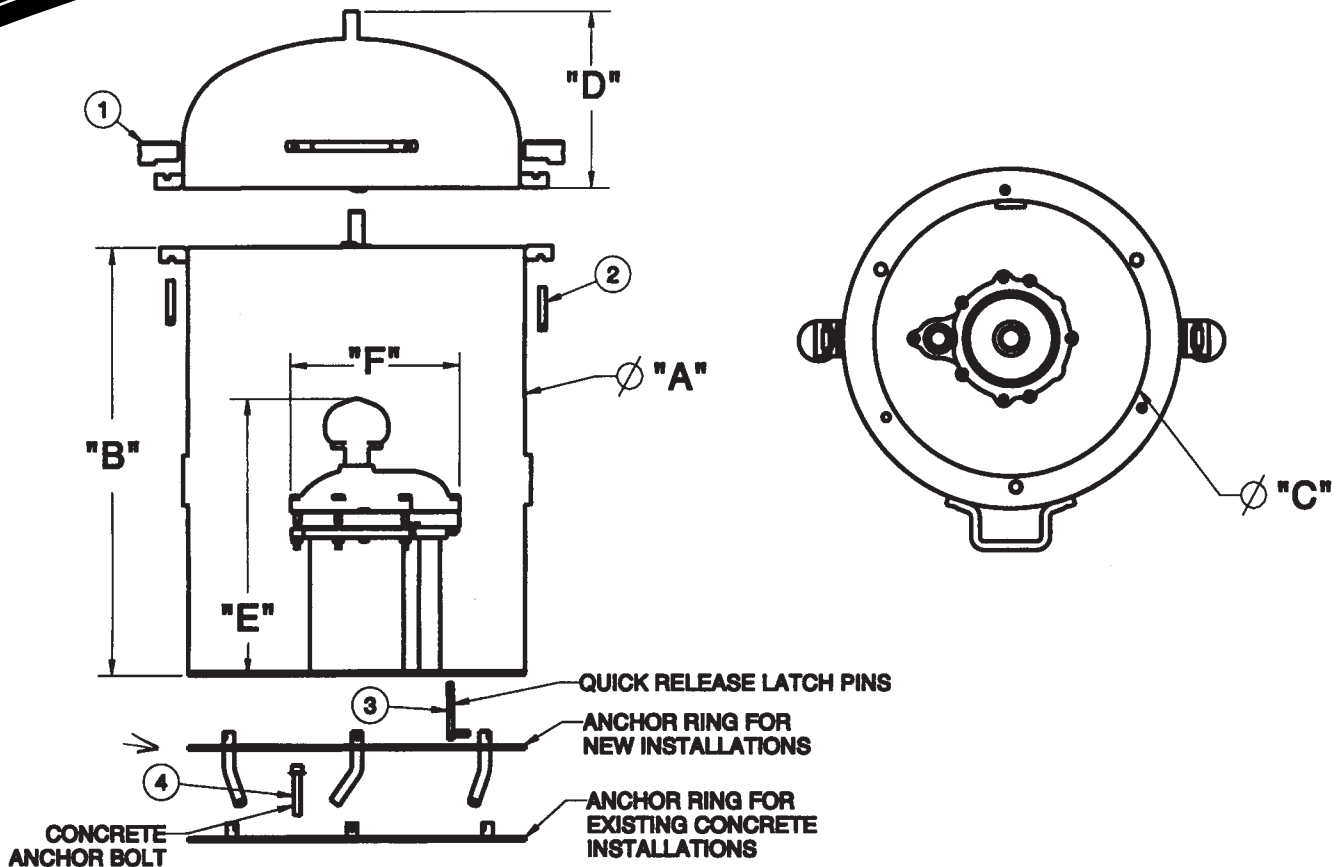
Product Features:

- ❖ Durable Steel Construction
- ❖ Stainless Steel Lock Pins
- ❖ Shielded Locks
- ❖ Easy Open Lid
- ❖ Lift Hook For Easy Removal
- ❖ Quick Release Pins for Base Removal
- ❖ Base Ring for Easy Cement Installation
- ❖ Shielded Screened Vents for Proper Airflow
- ❖ Powder Coat Painted Interior & Exterior





PROTECTIVE WELL ENCLOSURES



REPAIR PARTS

For New Concrete Installations

MODEL NO.	DIA "A"	DIM "B"	DIA "C"	DIM "D"
PWE610N30	24"	30"	19.5"	12.5"
PWE1218N30	30"	30"	25.5"	12.5"
PWE2022N30	36"	30"	31.5"	12.5"
PWE2428N32	42"	32"	37.5"	14.5"

For Existing Concrete Installations

MODEL NO.	DIA "A"	DIM "B"	DIA "C"	DIM "D"
PWE610E30	24"	30"	19.5"	12.5"
PWE1218E30	30"	30"	25.5"	12.5"
PWE2022E30	36"	30"	31.5"	12.5"
PWE2428E32	42"	36"	37.5"	14.5"

ITEM NO.	QUANTITY	PART NO.	DESCRIPTION
1	2	PWE538	SHIELDED LOCK KEYED ALIKE
2	2	PWE485	LOCK PINS STAINLESS STEEL
3	3	PWE445	QUICK RELEASE LATCH PINS
4	3	PWE6	CONCRETE ANCHOR BOLT

Baker Monitor Industrial Pitless Unit Models with Monitor Cap

WELL CASE, UPPER CASE	DIM "E"	DIM "F"
6" X 7"	19.5"	12.9"
6.6" X 7"	19.5"	12.9"
8" X 10"	28.5"	18.5"
10" X 12"	28.5"	22.5"
10" X 14"	28.5"	22.5"
12" X 14"	28.5"	22.5"
14" X 16"	28.8"	24.5"
16" X 18"	28.3"	25.4"
18" X 20"	28.3"	27.4"
20" X 22"	28.3"	30.5"
24" X 26"	29.5"	34.6"
26" X 28"	30.9"	36.5"