



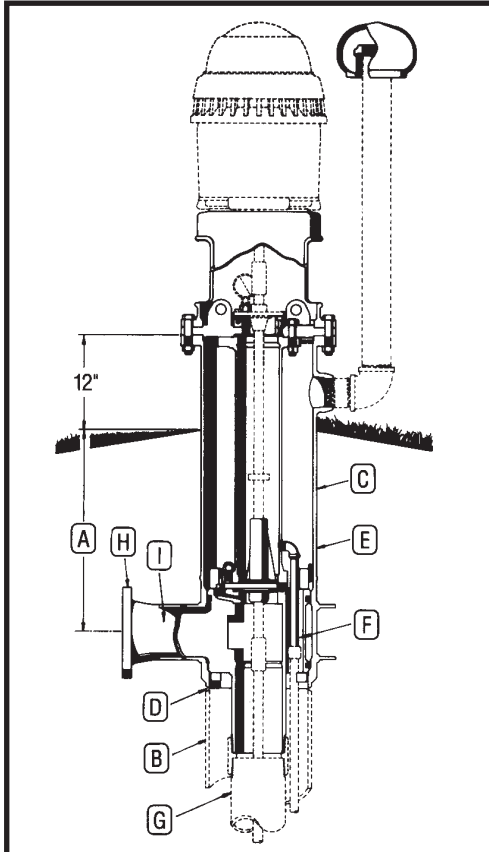
## 18" TURBINE PITLESS UNIT

UNITS AVAILABLE BY QUOTATION ONLY  
10" THROUGH 20" WELL SIZES

### EXPLANATION OF PITLESS UNIT ORDERING NUMBERS

The diagram illustrates the meaning of the various letters and numerals used in Monitor Turbine Pitless Unit ordering numbers. A typical order number and the pitless unit it stands for are shown.

### Typical Order Number 3PT1820WBE06F6W



#### DESCRIPTION - ORDERING NUMBERS

A	3	Bury Depth in Feet	
	PT	Pitless Unit for Turbine Pump	
B	18	Well Size - Ins.	
C	20	Upper Case Size - Ins.	
D	W	Attachment to Well Casing-Welded	
E	B	Black Upper Case	
F	E	Pressure Equalizing Spool Passages	
	0	Standard Spool	
G	6	Size of Column Pipe - Ins.(6",8",or 10")	
H	F	Welded	Discharge Connection (Select One)
		Flange, ASA 150#	
		Threaded NPT	
		Mech. Joint	
		Accessory - Transition Sleeve	
I	6	Discharge Size-Ins. (6",8", or 10")	
	W	Waterlube	
		Special Provision (X)	

- 3** A. The first numeral in the order number indicates the bury depth, in feet, of the unit. Bury depth on all units is measured from the center of the discharge line to ground level. The top of the pitless case extends 12" above ground level as is required by many codes.
- PT** The type of pump the pitless unit is designed for. The unit shown is a PT for Line Shaft Turbine Pumps.
- 18** B. The well casing size is for 18" wells.
- 20** C. The upper pitless case size is 20".
- W** D. The attachment to the well casing is a welded joint.
- B** E. The upper pitless case is black pipe.
- E** F. The spool has pressure equalizing passages.
- 0** The type of spool has no silent check valves.
- 6** G. The size of column pipe in inches.
- F** H. The discharge connection is flanged.
- 6** I. The size of discharge line in inches.
- W** The type of Line Shaft Turbine the unit is designed for, "W" water-lubricated.