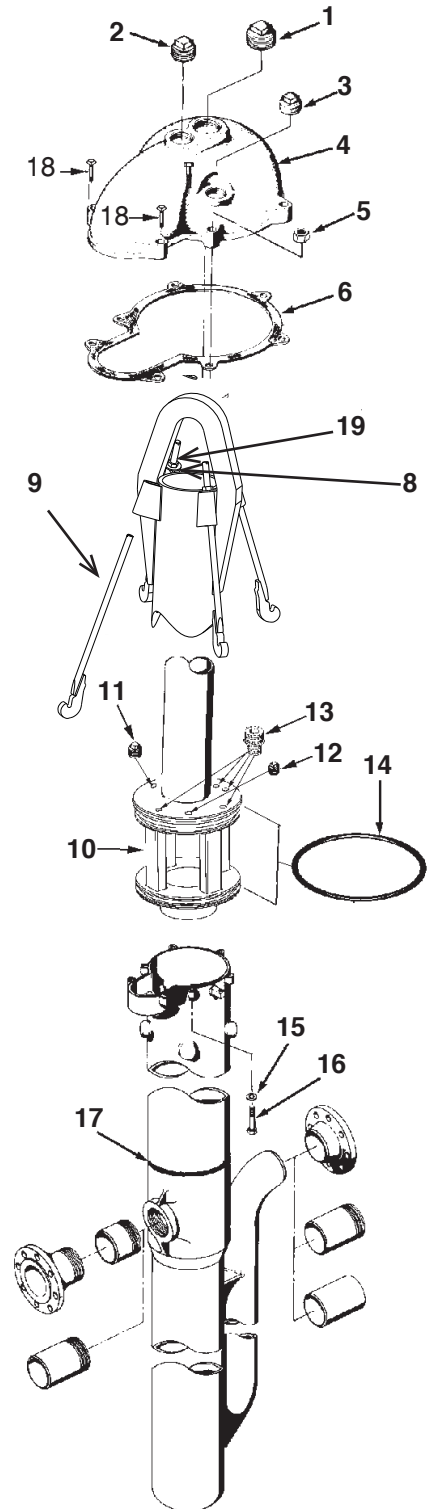




16" Pitless Booster Parts Breakdown

ANY ORDER FOR REPAIR PARTS MUST BE ACCOMPANIED BY THE PITLESS UNIT SERIAL NUMBER AND ORDER NUMBER

Key No.	Quantity	Description	Ord. No.
1	1	Pipe Plug, 2 1/2"	UK50
2	1	Pipe Plug, 2" NPT	UJ50
3	1	Pipe Plug, 1-1/2" NPT	UG54
4	1	Seal Cap (UM850)	UM1
5	12	Hex Nut, 5/8-11NC	PC286S
6	1	Gasket	UM72
8	4	Washer	WA75
9	4	Hold-Down Hook	UM7BH
10	1	Spool & Lift-Out Assy. (Order by descripton & serial no.)	-----
11	1	Pipe plug, 1" x 1 1/2 NPT	UN120
12	1	Pipe plug 3/8"-18 NPT	UN122
13	4	Cable Connectors (Note: Must be ordered by description & unit Serial No.)	-----
14	2	O-Ring	UM15
15	8	Washer	UN81
16	6	Head Head cap screw 5/8-11NC x 5" L	UN73S
17	1	Inlet pipe, tank, discharge body & upper case assembly	-----
18	2	Lock Bolt - 5/8 x 4 3/4" L.	LK4S
19	4	3/4" Nut	N75



OM5202-16(05-08)

Baker Manufacturing Co., LLC/Monitor Division • Evansville, WI 53536
 Phone: 800-356-5130 • Fax: 608-882-3777 • Website: bakermonitor.com