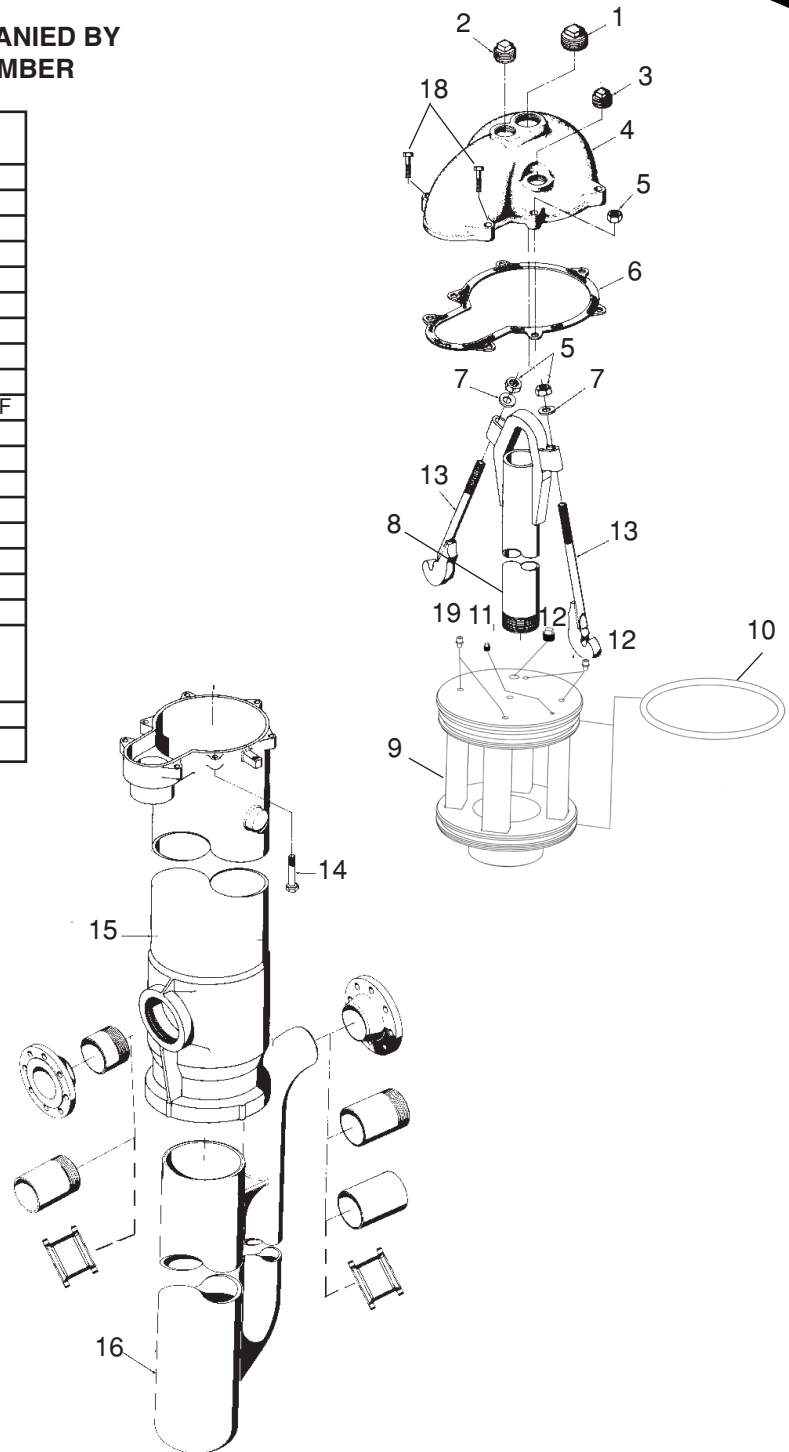


12" Pitless Booster Parts Breakdown

ANY ORDER FOR REPAIR PARTS MUST BE ACCOMPANIED BY THE PITLESS UNIT SERIAL NUMBER AND ORDER NUMBER

Key No.	Quantity	Description	Ord. No.
1	1	Pipe Plug, 2 1/2"	UK50
2	1	Pipe Plug, 2" NPT	UJ50
3	1	Pipe Plug, 1 1/2" NPT	UG54
4	1	Seal Cap (UK850)	UK12
5	9	Hex Nut, 5/8-11NC	N75
6	1	Gasket	UK72
7	2	Washer	WA75
8	1	Lift Out Bail & Lift Out Pipe Assy. (Order by bury depth)	-----
9	1	Spool (14E0PSF)	UK6S4EF
10	2	O-Ring	UK15
11	1	Pipe Plug, 3/8-18 NPT	UN122
12	4	Cable Connectors (Note: Must be ordered by description & unit Serial No.)	-----
13	2	Hold-Down Hook	UJ7BH
14	5	Hex Hd. Cap Screw, 5/8-11HCx 5" L	UN73
15	1	Discharge Body & Upper Casing Assy. (Order by bury depth)	-----
16	1	Inlet pipe and tank assembly. (Note: Must be ordered by description & unit Serial No.)	-----
18	2	Lock Bolt - 5/8 x 4 3/4" L.	LK4
19	1	Pipe Plug - 1" NPT	UN120



OM5208-12(05-08)