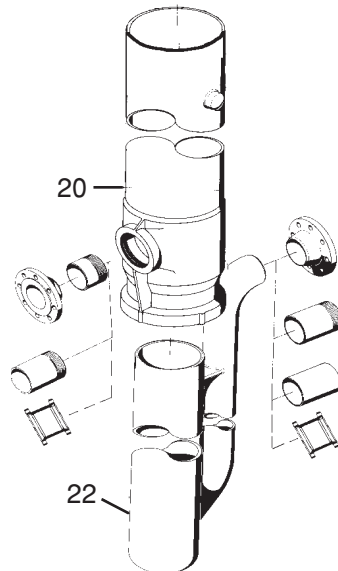
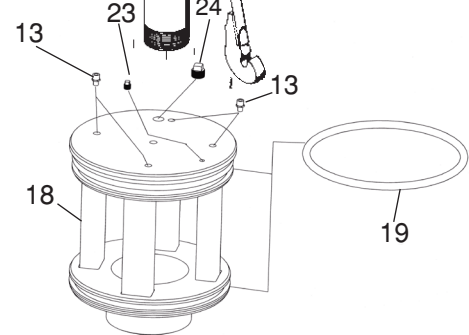
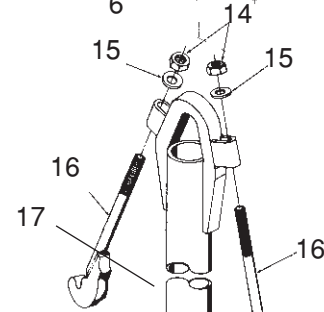
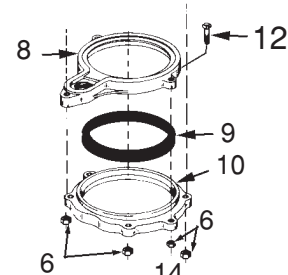
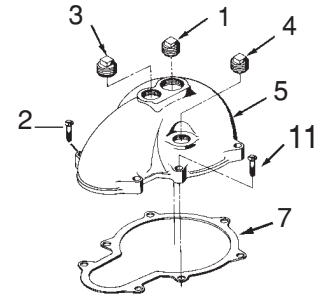




10" Pitless Booster Parts Breakdown

ANY ORDER FOR REPAIR PARTS MUST BE ACCOMPANIED BY THE PITLESS UNIT SERIAL NUMBER AND ORDER NUMBER

Key No.	Quantity	Description	Ord. No.
1	1	Pipe Plug, 2 1/2"	UK50
2	2	Lock Bolt, 5/8-11NC x 4 3/4" L.	LK4S
3	1	Pipe plug, 2" NPT	UJ50
4	1	Pipe plug, 1 1/2" NPT	UG54
5	1	Seal Cap (UK850)	UK12
6	10	Hex nut, 5/8-11NC	PC286
7	1	Gasket	UK72
8	1	Retainer Ring	UJ174
9	1	Seal Ring	UJ176
10	1	Depression Ring	UJ175
11	5	Hex head cap screw, 5/8-11NC x 6" L	KP145S
12	3	Hex head cap screw, 5/8-11NC x 3 1/2" L.	UJ177S
13	4	Cable Connectors (Note: Must be ordered by description & Unit Serial No.)	-----
14	2	Hex nut, 5/8-11NC	N75
15	2	Washer	WA75
16	2	Hold down Hook	UJ7BH
17	1	Lift-out pipe & bail assy. (Order by bury depth)	-----
18	1	Spool - without check valves (12E0PSF)	UJ241
19	2	O-ring	UJ15
20	1	Discharge body & upper case assy. (Order by bury depth)	-----
22	1	Tank & Inlet pipe Assy. (Note: Must be ordered by description & Serial No.)	-----
23	1	Pipe plug, 3/8-18 NPT	UN122
24	1	Pipe plug, 1" NPT	UN120



OM1427-10(05-08)

Baker Manufacturing Co., LLC/Monitor Division • Evansville, WI 53536
 Phone: 800-356-5130 • Fax: 608-882-3777 • Website: bakermonitor.com