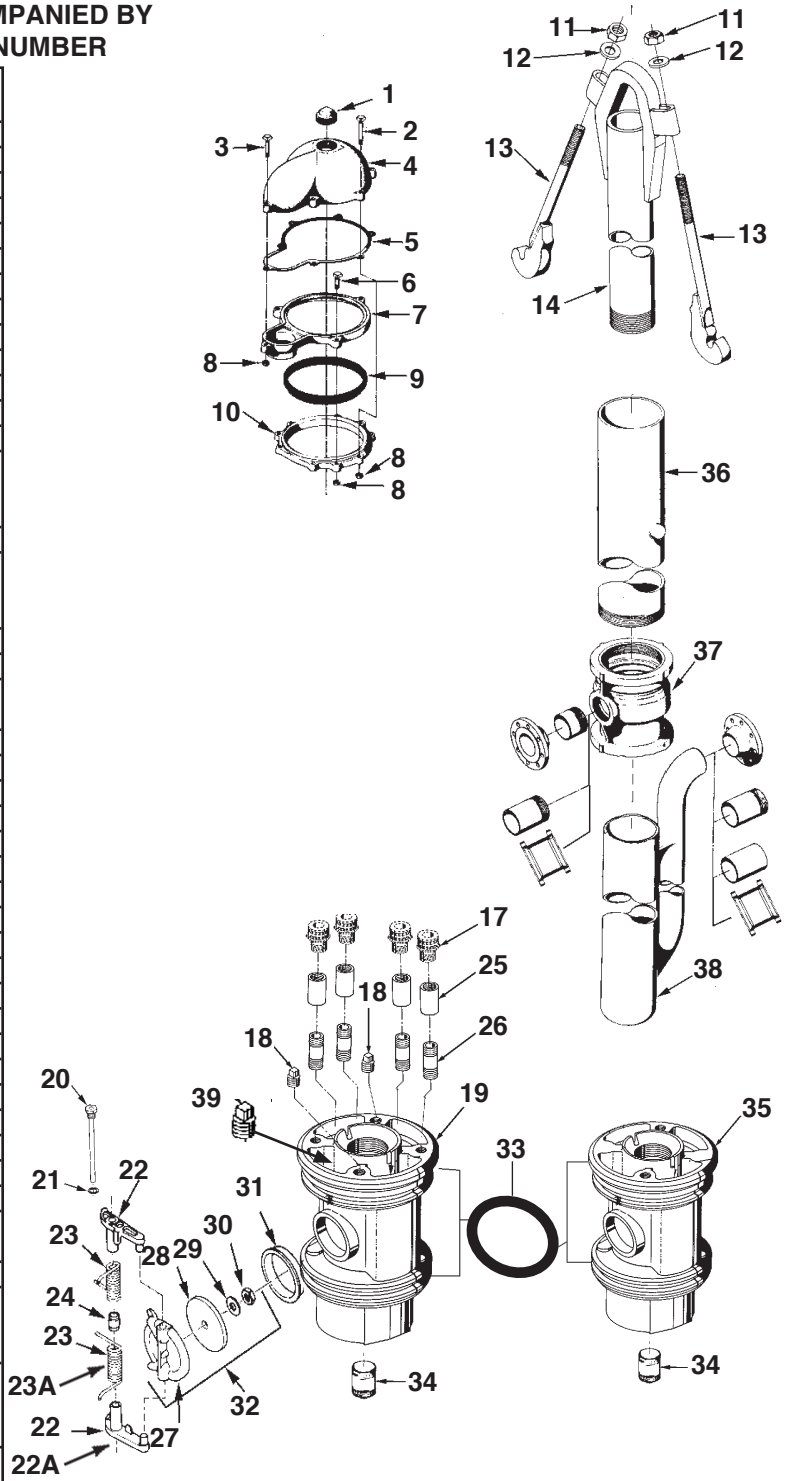




## 8" Pitless Booster Parts Breakdown

ANY ORDER FOR REPAIR PARTS MUST BE ACCOMPANIED BY THE PITLESS UNIT SERIAL NUMBER AND ORDER NUMBER

Key No.	Qty	Description	Ord. No.
1	1	Pipe Plug, 2 1/2" NPT	UK50
2	6	Machine Bolt, 1/2-13NCx4 1/2" L.	PS221S
3	1	Machine Bolt, 1/2-13NCx3" L.	APC7S
4	1	Seal Cap & Plug Assy.	PS350
5	1	Gasket	PS342
6	3	Machine bolt, 1/2-13NCx 2 1/2" L.	PS111S
7	1	Retainer Ring	PS341
8	10	Hex Nut, 1/2-13NC	PC433S
9	1	Seal Ring	PS170
10	1	Depression Ring	PS189
11	2	Hex Nut, 5/8-11NC	N75
12	2	Washer	WA75
13	2	Hold-Down Hook	UJ7BH
14	1	Lift-Out Pipe & Bail Assembly Note: Must be ordered by description & unit Serial Number	-----
16	1	Pipe Plug, 1" NPT-Galv.	UN120
17	4	Cable Connectors Note: Must be ordered by description & unit Serial Number	-----
18	2	Pipe Plug, 3/8-18 NPT	UN122
19	1	Spool (10E0PSF)	UG204
--	1	Spool Assy. w/check valves, includes Key Nos. 18 thru 33 (10E2PSF)	UG208
20	2	Hinge Pin	UG29
21	2	Hinge Pin Gasket	SW84
22	2	Rocker Arm-Right Hand	UG147
22A	2	Rocker Arm-Left Hand	UG148
23	2	Valve Spring-Right Hand	UG145
23A	2	Valve Spring-Left Hand	UG146
24	2	Valve Spring Center Support	UG150
25	2	Coupling 1/2-18NPT	PS182
26	2	Nipple 1/2-18NPT	PS181
27	2	Valve Body	UG149
28	2	Rubber Check Valve Facing	UG23
29	2	Brass Washer	UG68
30	2	Brass Nut, 1/2-13NC	TP34
31	2	Check Valve Seat	UG22
32	2	Check Valve Assy. includes Key Nos. 27 thru 30	UG323
33	2	O-Ring	UG15
34	1	Pipe Nipple, 4" NPTx6" L.	UK251
35	1	Spool	UG244
---	1	Spool Assy. less check valves Includes key nos 16-18, 25-26 & 35	UG253
36	1	Casing	-----
37	1	Discharge Body, FIP discharge outlet standard. Note: Must be ordered by description & unit Serial Number.	UG3
38	1	Tank & Inlet Pipe Assy. Note: Must be ordered by description & unit Serial Number	-----
39	1	Pipe Plug, 1" galvanized	UN120



OM-5200-8(05-08)

Baker Manufacturing Co., LLC/Monitor Division • Evansville, WI 53536  
Phone: 800-356-5130 • Fax: 608-882-3777 • Website: bakermonitor.com