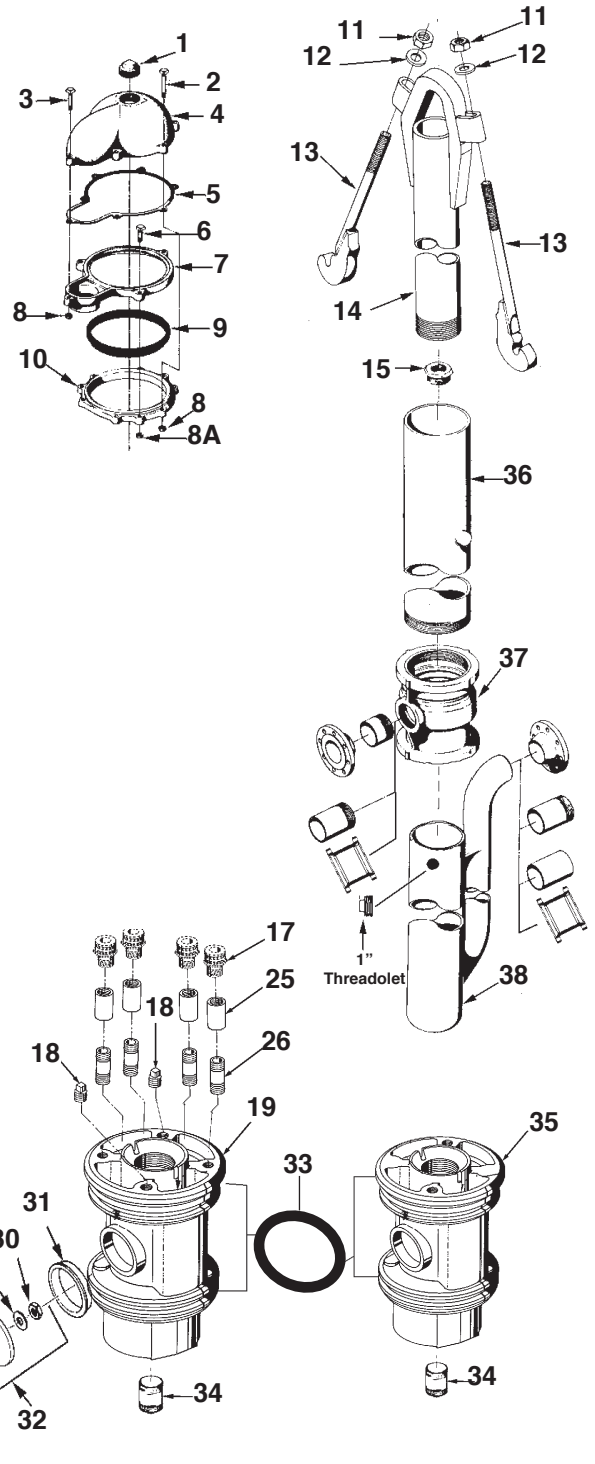




6" Pitless Booster Parts Breakdown

ANY ORDER FOR REPAIR PARTS MUST BE ACCOMPANIED BY THE PITLESS UNIT SERIAL NUMBER AND ORDER NUMBER

Key No.	Qty	Description	Ord. No.
1	1	Pipe Plug, 1 1/2" NPT	UG54
2	6	Machine Bolt, 3/8-16NCx3 1/2" L	PS94S
3	1	Machine Bolt, 3/8-16NCx2 1/2" L.	PS93S
4	1	Seal Cap & Plug Assy.	PS217
5	1	Gasket	PS197
6	2	Machine bolt, 5/16-18NCx2" L.	PS132S
7	1	Retainer Ring	PS377
8	7	Hex Nut, 3/8-16NC	UB17S
8A	2	Hex Nut, 5/16-18NC	PC434S
9	1	Seal Ring	PS167
10	1	Depression Ring	PS187
11	2	Hex Nut, 5/8-11NC	N75
12	2	Washer	WA75
13	2	Hold-Down Hook	UJ7BH
14	1	Lift-Out Pipe & Bail Assembly Note: Must be ordered by description & unit Serial Number	-----
15	1	Reducer Bushing, 2x1 1/4	PC330
17	4	Cable Connectors Note: Must be ordered by description & unit Serial Number	-----
18	2	Pipe Plug, 3/8-18 NPT	UN122
19	1	Spool (7E0PS3F)	UC271
--	1	Spool Assy. w/check valves, inc. Key Nos. 18 -33 except 25, 26,35 (7E2PS3F)	UC393
20	2	Hinge Pin	UC299
21	2	Hinge Pin Gasket	UC127A
22	4	Rocker Arm	UC301
23	2	Valve Spring	UC302
24	2	Valve Spring Center Support	UC300
25	4	Coupling 3/8-18NPT	PS182
26	4	Nipple 3/8-18 NPT	PS181
27	2	Valve Body	UC292
28	2	Rubber Check Valve Facing	UC295
29	2	Brass Washer	UG217
30	2	Brass Nut, 3/8-13NC	PS159
31	2	Check Valve Seat	UC293
32	2	Check Valve Assy. includes Key Nos. 27 thru 30	UC296
33	2	O-Ring	UC15
34	1	Pipe Nipple, 3" NPT x 6" L.	UK351
35	1	Spool	UC287
---	1	Spool Assy. less check valves Includes key nos 18, 25, 26, 33 & 35	UC392
36	1	Casing	-----
37	1	Discharge Body, FIP discharge outlet standard. Note: Must be ordered by description & unit Serial Number.	UC291
38	1	Tank & Inlet Pipe Assy. Note: Must be ordered by description & unit Serial Number	-----



OM5200-6(05-08)