



6" I.D. STANDARD INDUSTRIAL PITLESS UNITS

EXPLANATION OF PITLESS UNIT

ORDERING NUMBERS

The diagram illustrates the meaning of the various letters and numerals used in Monitor Standard Industrial Pitless Unit ordering numbers. A typical order number and the pitless unit it stands for are shown.

Typical Order Number 3PS67WBWE23T3S

A. The first numeral in the order number indicates the bury depth, in feet. Bury depth on all units is measured from the center of the discharge line to ground level. The top of the pitless case extends 12" above ground level as is required by many codes. However, any length can be manufactured.

3

PS These letters indicate the type of pump the pitless unit is designed for. The unit shown is a PS for submersible pumps.

PS

6

B. This numeral indicates the well casing size, 6" I.D.

6

7

C. This numeral indicates the upper pitless case size, 7" I.D.

W

D. Indicates the attachment to the well casing is a welded joint ("N" for KwiKonec - 6" I.D. & 8" I.D. only).

B

E. Indicates the upper pitless case is black pipe.

W

F. Indicates the unit has a watertight cap with screened vent installed.

E

G. Indicates spool has pressure equalizing passages, for venting well.

2

This numeral indicates the type of spool which the pitless unit has. In this case it is a spool having two silent check valves.

3

H. Indicates the size of drop pipe in inches.

T

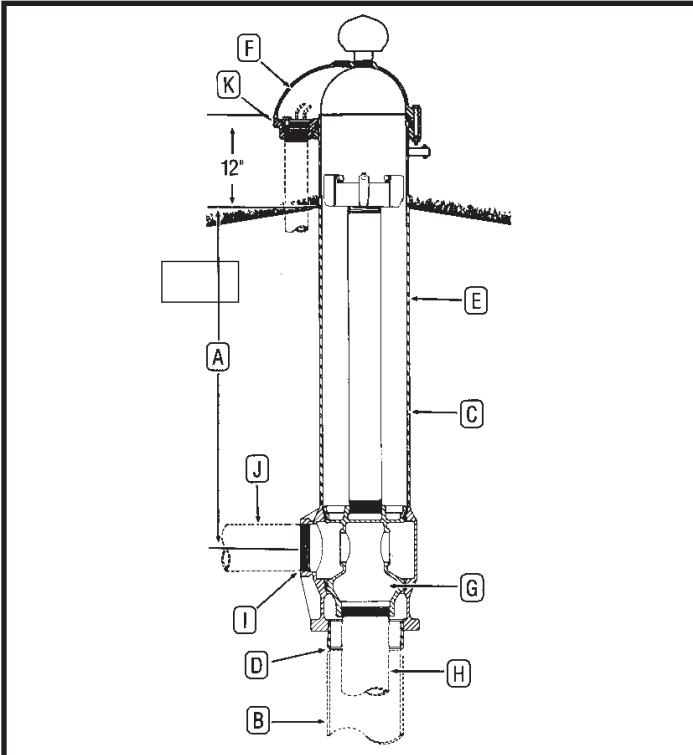
I. Indicates the discharge connection is threaded.

3

J. Indicates the size of discharge pipe in inches.

S

K. Sealed Conduit Connection. (Optional)



DESCRIPTION - ORDERING NUMBERS

A	3	Bury Depth in Feet	
	PS	Pitless Unit for Submersible Pump	
B	6	Well Size - Ins.	
C	7	Upper Case Size - Ins.	
D	W	Attachment to Well Casing	W-Welded N-Compression
E	B	Black Upper Case	
F	W	Watertight Cap w/Screened Air Vent	
	E	Pressure Equalizing Spool Passages	
G	2	No. of Check Valves: (0 or 2)	
H	3	Drop Pipe I.D. Ins.	
I	T	Threaded NPT Std. Connection	Accessory Discharge Connections
		Flange, ASA 150#	
		Welded	
		Mech. Joint w/transition sleeve	
J	3	Discharge I.D. Ins.	
K	S	Elec. Cable Seal (S) O.D. 3 Wire _____ O.D. Grounding Wire _____	
OPTIONS		Flowing Well (F)	
		Special Provision (X)	