



12" I.D. Standard Industrial Parts Breakdown

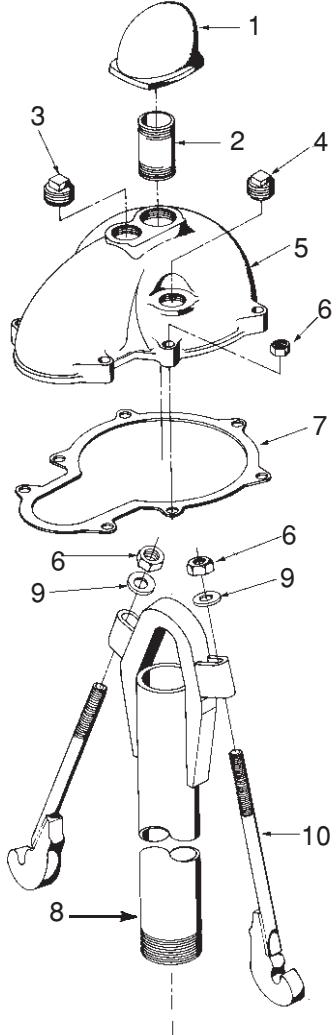


Figure 1

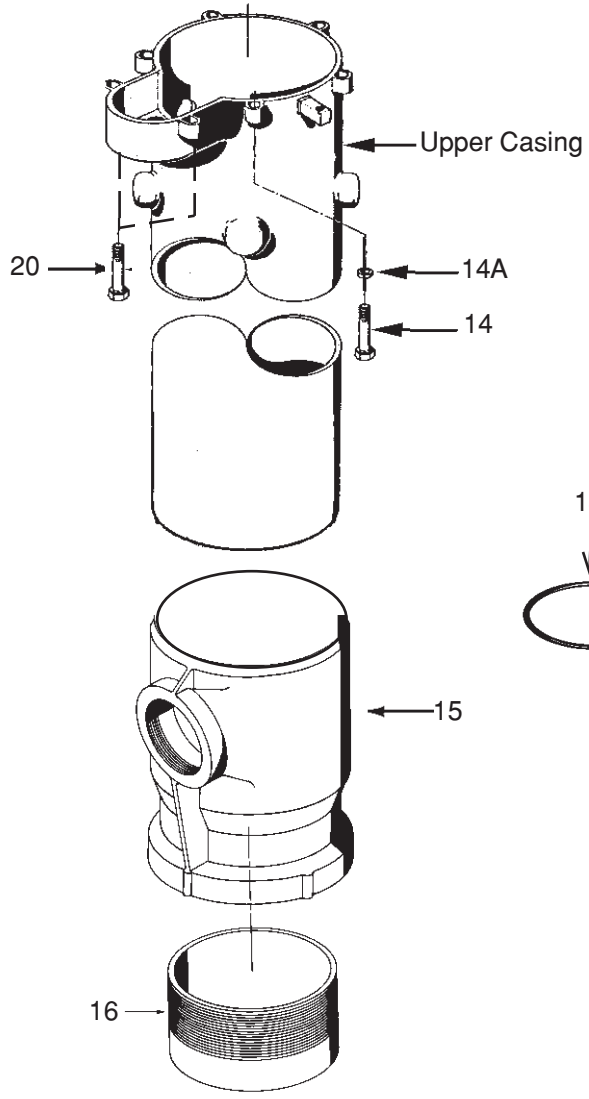


Figure 3

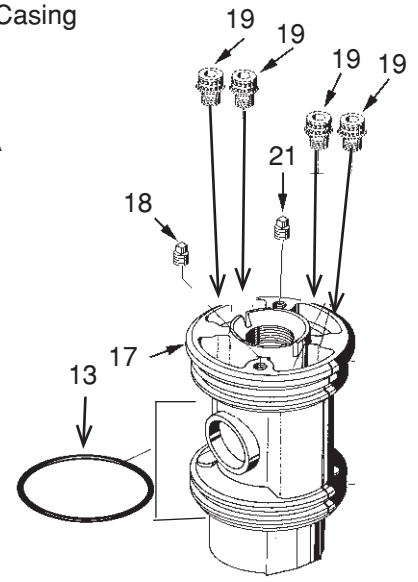


Figure 4

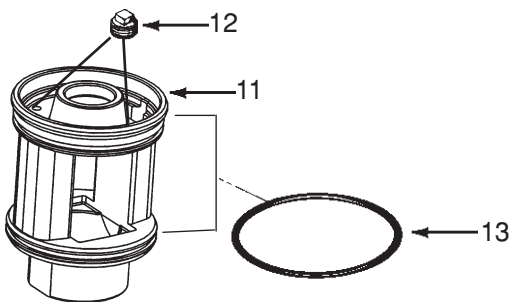


Figure 2

OM1424-12(05-08)