



# 10" I.D. Standard Industrial Parts Breakdown

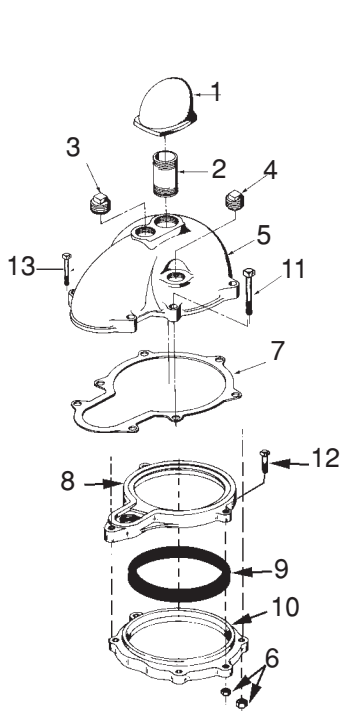


Figure 1

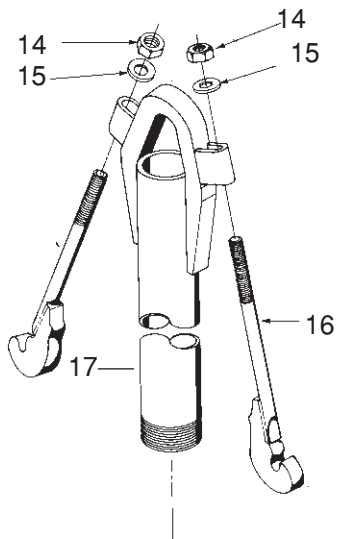


Figure 2

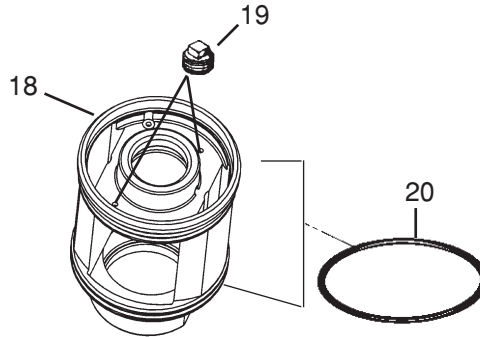


Figure 3

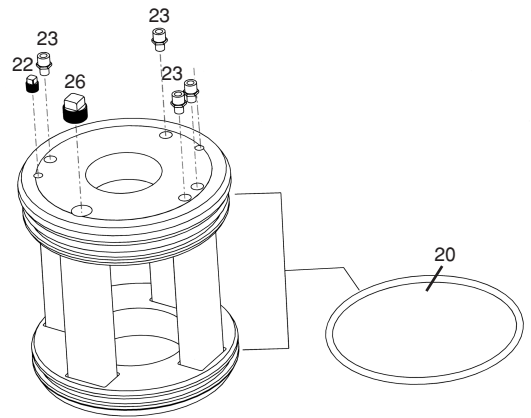


Figure 4

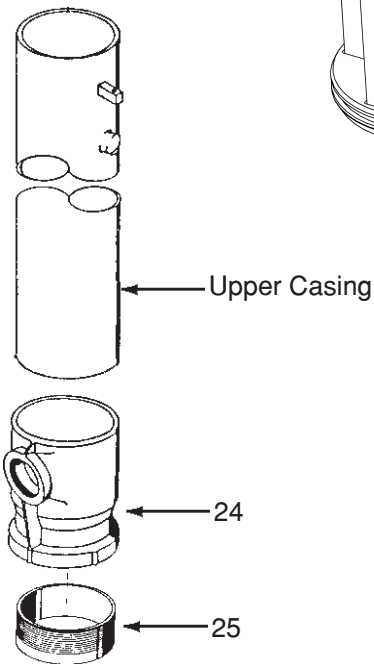


Figure 5