



8" I.D. Standard Industrial Parts Breakdown

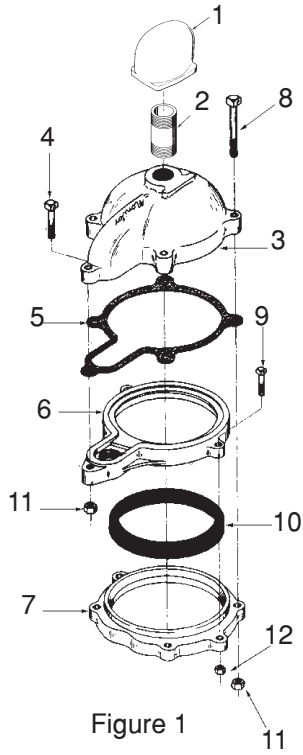
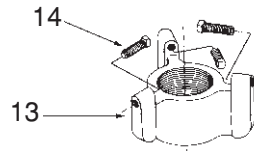
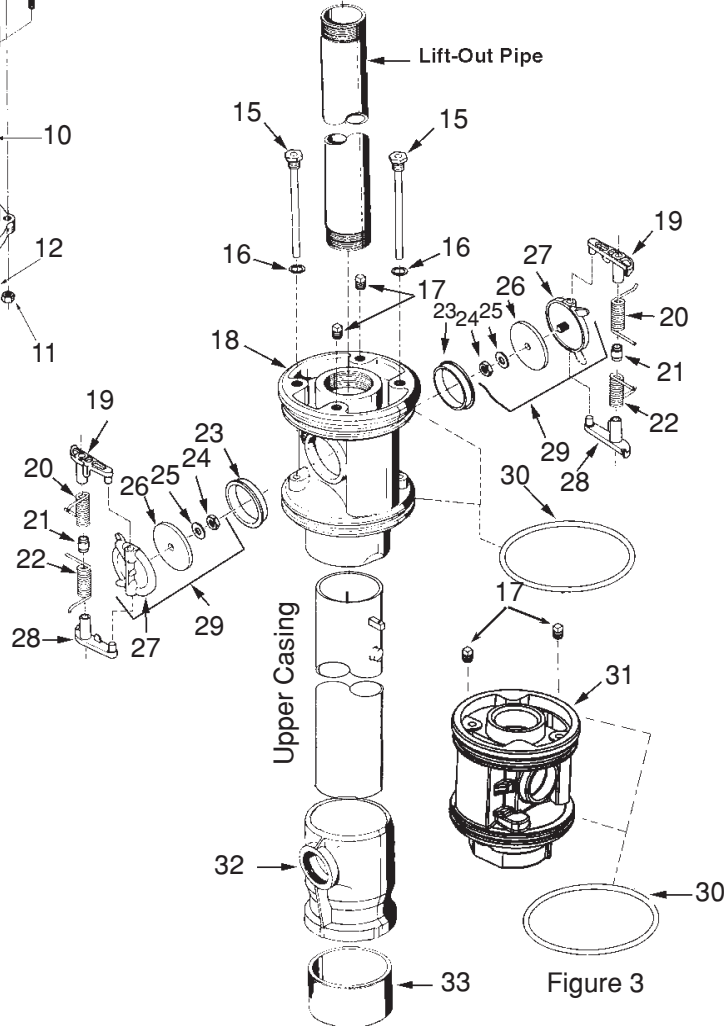


Figure 1



Lift-Out Pipe



Upper Casing

Figure 2

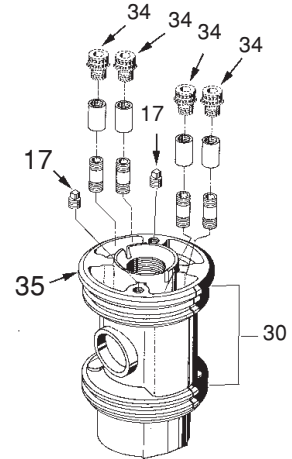


Figure 4-Flowing Well Spool with check valves include Key Nos. 15-29. (W/O Check Valves same as Fig. 3)

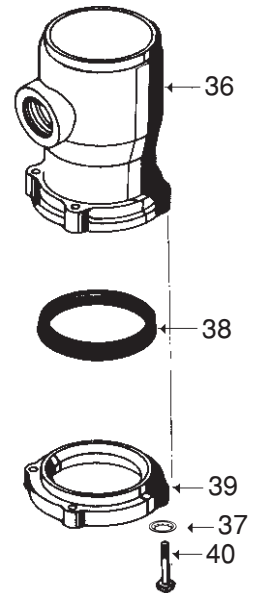


Figure 5

OM1421(05-08)

Baker Manufacturing Co., LLC/Monitor Division • Evansville, WI 53536
 Phone: 800-356-5130 • Fax: 608-882-3777 • Website: bakermonitor.com