



6.6" I.D. Standard Industrial Parts Breakdown

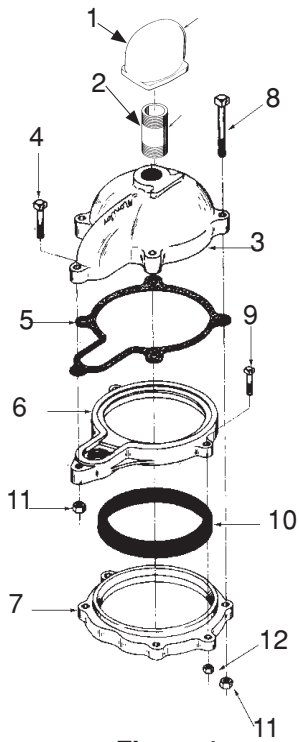


Figure 1

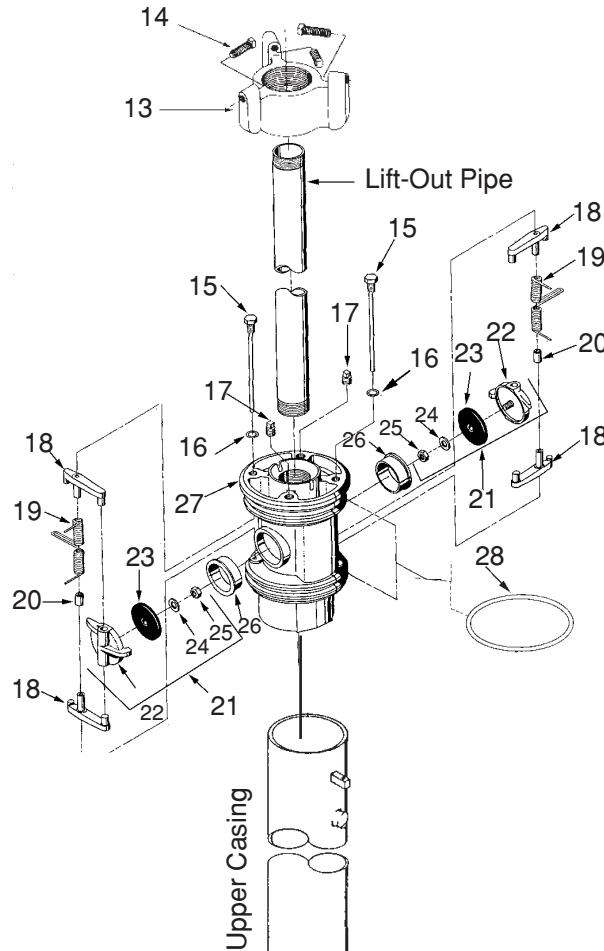


Figure 2

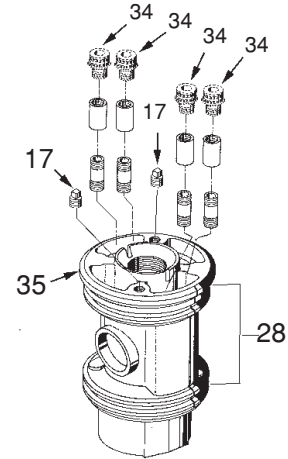


Figure 3-Flowing Well Spool with check Valves includes Key Nos. 15-26. (W/O Check Valves same as Fig. 3)

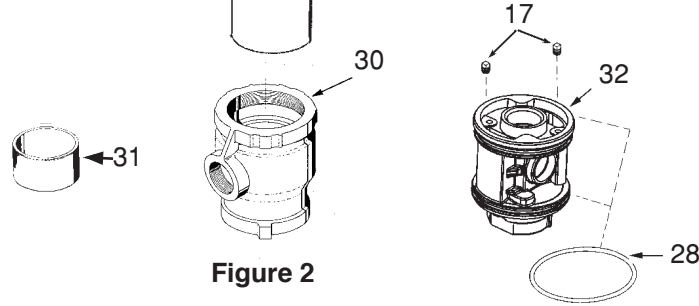


Figure 3

OM1422-6.6(05-08)

Baker Manufacturing Co., LLC/Monitor Division • Evansville, WI 53536
 Phone: 800-356-5130 • Fax: 608-882-3777 • Website: bakermonitor.com