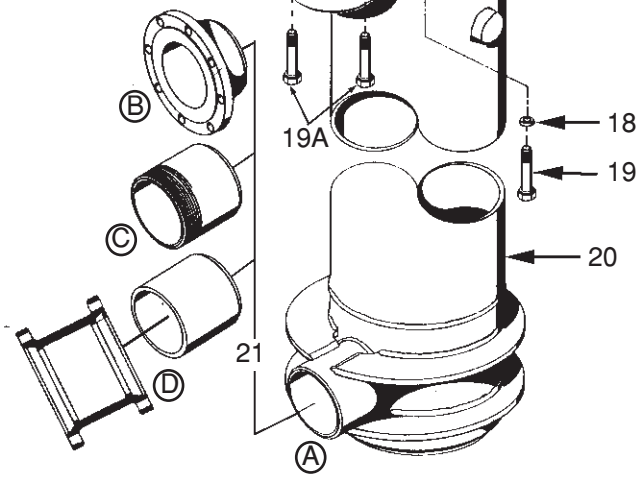
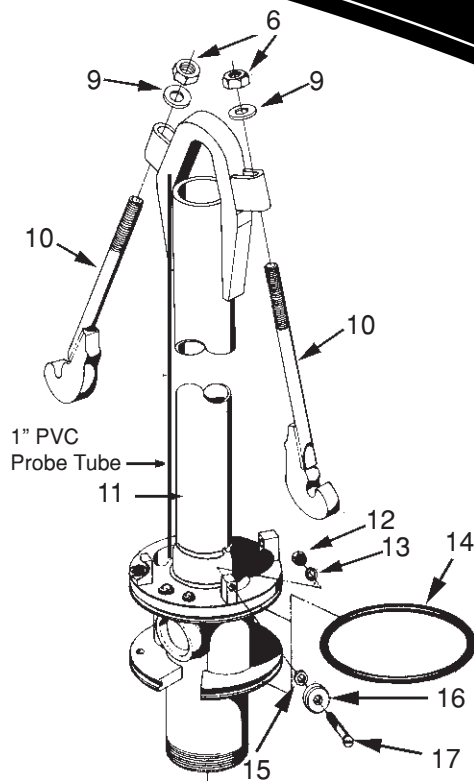
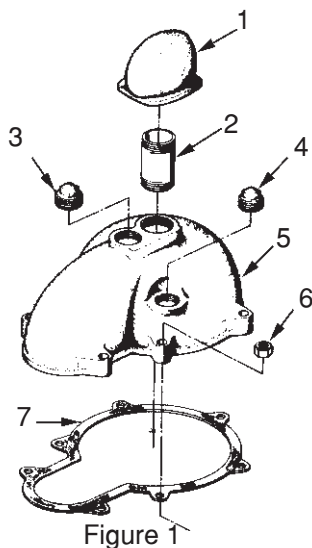


14" Custom Pitless Parts Breakdown

ANY ORDER FOR REPAIR PARTS MUST BE ACCOMPANIED BY THE PITLESS UNIT SERIAL NUMBER AND ORDER NUMBER



| Key No. | Quantity | Description | Ord. No |
|-----------------|----------|--|---------|
| FIGURE 1 | | | |
| 1 | 1 | Protected Screen Well Vent 2 1/2" NPT | PS155 |
| 2 | 1 | Pipe Nipple 2 1/2" NPT x 6" L. | PS365 |
| 3 | 1 | Plug Plug 2" NPT | UJ50 |
| 4 | 1 | Pipe Plug 1 1/2" NPT | UG54 |
| 5 | 1 | Seal Cap | UL1 |
| 6 | 9 | Hex Nut 5/8-11NC | PC286S |
| 7 | 1 | Gasket | UL102 |
| FIGURE 2 | | | |
| 9 | 2 | Washer | PC417 |
| 10 | 2 | Hold-Down Hook | UK7 |
| 11 | 1 | *Spool & Lift-Out Assembly (Serial No. Required) | ----- |
| 12 | 4 | Hex Nut 3/8-16NC | UB17 |
| 13 | 4 | Lockwasher | TX31 |
| 14 | 2 | O-Ring | UL15 |
| 15 | 4 | Washer | SW68 |
| 16 | 4 | Washer | UL95 |
| 17 | 4 | Machine Screw, 3/8-16NC x 2 1/4" L. | UM222 |
| 18 | 7 | Washer | UN81 |
| 19 | 5 | Hex Head cap screw, 5/8-11NC x 5" L. | UN73S |
| 19A | 2 | Lock Bolt, 5/8-11NC x 4 3/4" L. | LK4S |
| 20 | 1 | Discharge Body & Upper Casing Assembly----- (Serial No. Required) | ----- |
| 21 | --- | (4) different discharge connections are available, (A) Welded, (B) Flanged, (C) Threaded or (D) Mechanical Joint with or without Transition Sleeve | |

Figure 2

*Flowing Well Spools Available upon request