



# 12" Custom Pitless Parts Breakdown

ANY ORDER FOR REPAIR PARTS MUST BE ACCOMPANIED BY THE PITLESS UNIT SERIAL NUMBER AND ORDER NUMBER

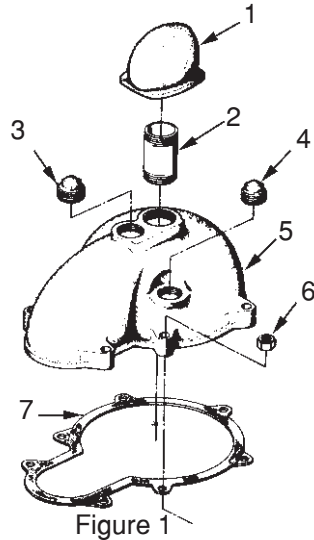


Figure 1

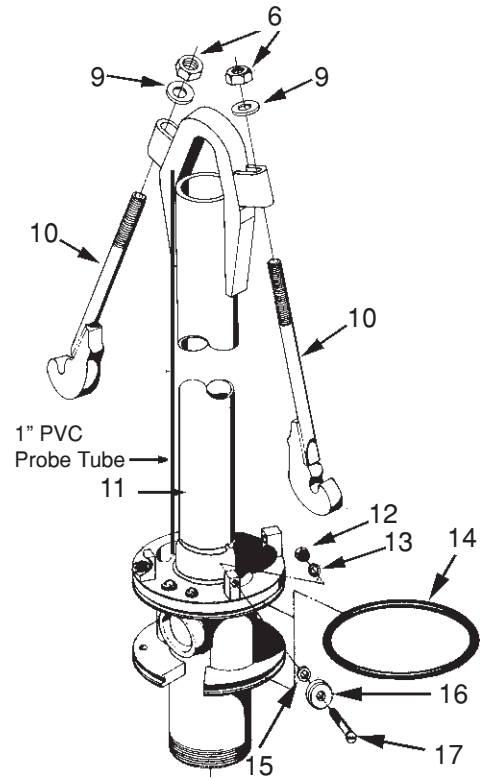


Figure 2

| Key No.         | Quantity | Description  | Ord. No |
|-----------------|----------|--|---------|
| <b>FIGURE 1</b> |          |  |         |
| 1               | 1        | Protected Screen Well Vent 2 1/2" NPT  | PS155   |
| 2               | 1        | Pipe Nipple 2 1/2" NPT x 6" L.   | PS365   |
| 3               | 1        | Plug Plug 2" NPT   | UJ50    |
| 4               | 1        | Pipe Plug 1 1/2" NPT   | UG54    |
| 5               | 1        | Seal Cap   | UK12    |
| 6               | 9        | Hex Nut 5/8-11NC   | PC286S  |
| 7               | 1        | Gasket   | UK72    |
| <b>FIGURE 2</b> |          |  |         |
| 9               | 2        | Washer   | PC417   |
| 10              | 2        | Hold-Down Hook   | UJ7     |
| 11              | 1        | *Spool & Lift-Out Assembly<br>(Serial No. Required)  | -----   |
| 12              | 4        | Hex Nut 3/8-16NC   | UB17    |
| 13              | 4        | Lockwasher   | TX31    |
| 14              | 2        | O-Ring   | UK15    |
| 15              | 4        | Washer   | SW68    |
| 16              | 4        | Washer   | UL95    |
| 17              | 4        | Machine Screw, 3/8-16NC x 2 1/4" L.  | UM222   |
| 18              | 7        | Washer   | UN81    |
| 19              | 5        | Hex Head cap screw, 5/8-11NC x 5" L.   | UN73S   |
| 19A             | 2        | Lock Bolt, 5/8-11NC x 4 3/4" L.  | LK4S    |
| 20              | 1        | Discharge Body & Upper Casing Assembly-----<br>(Serial No. Required)   | -----   |
| 21              | ---      | (4) different discharge connections are available,<br>(A) Welded, (B) Flanged, (C) Threaded or (D)<br>Mechanical Joint with or without Transition Sleeve |         |

\*Flowing Well Spools Available upon request

OM5000-12(05-08)

Baker Manufacturing Co., LLC/Monitor Division • Evansville, WI 53536  
Phone: 800-356-5130 • Fax: 608-882-3777 • Website: bakermonitor.com