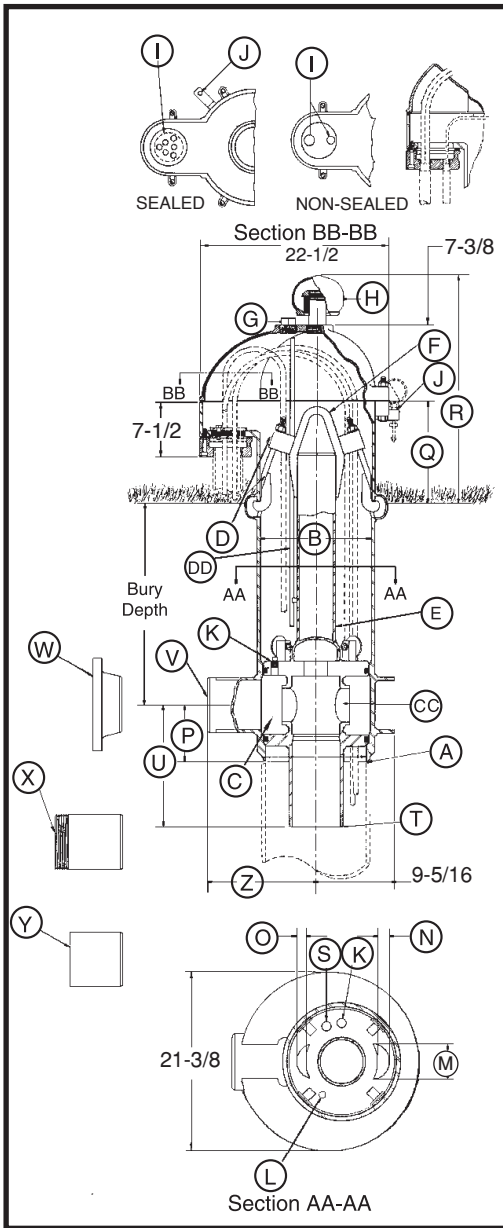


12" CUSTOM PITLESS SPECIFICATIONS



Note: Pitless units conform to the Recommended Standards for Water works, Great Lakes Upper Mississippi River Board of State Public Health & Environmental Managers and Water Systems Council PAS-97 (04) Standards.

- A Pitless Unit to well casing connection:** Chamfered for butt weld.
- B Pitless Unit with Black Upper Case:** 13-1/8 in. I.D., 14 in. O.D.
- C Discharge Body minimum I.D. 12":** Large enough to permit insertion of 12-1/4" O.D. X1/8" wall tube during well servicing.
- D Hold-Down Mechanism:** Locks spool in place and prevents lifting and turning during pump start-up. Two adjustable hooks on lift-out pipe hook into side of pitless case.
- DD Probe Tube** Standard 1 in. PVC Pipe.
- E Lift-Out Pipe:** 4 in. NPT with standard lift-out bail.
- F Lift-Out Bail:** Lift-out pipe and bail assembly designed for a 68,000 lb. load.
- G** 2 in. NPT Tapping.
- H Well Vent:** Screws into a 2-1/2 in. NPT Tapping.
- CAP CABLE SEALS (SECTION BB-BB)**
- I Conduit Tapping:** 2 in. and 1 in. Std. Also available with single 2 in., 3 in., or 4 in. NPT. All tapping sizes available with or without electrical cable seal.
- J Depth Tester Block Tappings:** 1/4 in. NPT Std.
- K** 1 in. NPT Tapping ported to Drop Pipe.
- L Pressure zone tapping:** 3/8 in. NPT Std.
- MOTOR CABLE PASSAGES THROUGH SPOOL (SECTION AA-AA)**
- M** 4 in.
- N** 1-1/2 in.
- O** 1 in.
- P Dimension from center of Discharge Outlet to bottom of Discharge Body:** 15-3/4 in.
- Q Distance from ground level to top of the pitless case:** 12 in.
- R Distance from ground level to top of the vent cap:** 28-1/2 in. (Vent Height may be increased if necessary).
- S 3/4 in. NPT Tapping:** used for optional Water Sampler.
- T SPOOL TO DROP PIPE THREAD SIZES:**

	4 in. NPT	5 in. NPT	6 in. NPT
U Dimension from center of discharge outlet to bottom of Spool:	13-7/16 in.	14-7/16 in.	14-1/2 in.

- DISCHARGE CONNECTIONS AND SIZES:**

	4 in. I.D.	5 in. I.D.	6 in. I.D.
V For Butt Weld (IPS):	4 in. I.D.	5 in. I.D.	6 in. I.D.
W For Flanged (A.S.A. Std. 150 lb.):	4 in. I.D.	5 in. I.D.	6 in. I.D.
X For Threaded (NPT):	4 in. I.D.	5 in. I.D.	6 in. I.D.
Y For Transition Sleeve (IPS):	4 in. I.D.	Not Available	6 in. I.D.

- Z** Dimension from center of Well Casing to the end of Discharge Outlet.

With [V] Butt Weld Discharge:	18-1/2 in.	18-1/2 in.	12-15/16 in.
With [W] Flanged Discharge:	21-1/2 in.	21-1/2 in.	16-7/16 in.
With [X] Threaded Discharge:	21-7/16 in.	21-7/16 in.	16-15/16 in.
With [Y] Transition Sleeve:	30-1/2 in.	Not Available	24-15/16 in.

- CC SPOOL ASSEMBLY - WITHOUT CHECK VALVES -**

Area of Water Passage(s):	25.12 sq. in.	25.12 sq. in.	25.12 sq. in.
Percent area of water passages to area of drop pipe	195%	125%	87%

COMPONENT MATERIALS

- Well Vent** - cast iron, green enamel finish.
- Cap** - cast iron, green enamel finish.
- Conduit Box** - steel, corrosion resistant coating.
- Electrical Cable Seal** - cast iron, green enamel finish.
- Combination Hold-Down & Lift-Out Mechanism** - lead free galvanized.
- Hold-Down Pipe** - steel, corrosion resistant coating.
- Pitless Case** - steel, corrosion resistant coating.
- Discharge Body** - steel, lead free galvanized.
- Spool** - steel, lead free galvanized.
- Probe Tube** - 1" PVC

NOTE: Any combination between Drop Pipe and Discharge Outlet size is possible, if required.

NOTE: Maximum rated discharge pressure = 300 PSI

BB111-12(05-08)